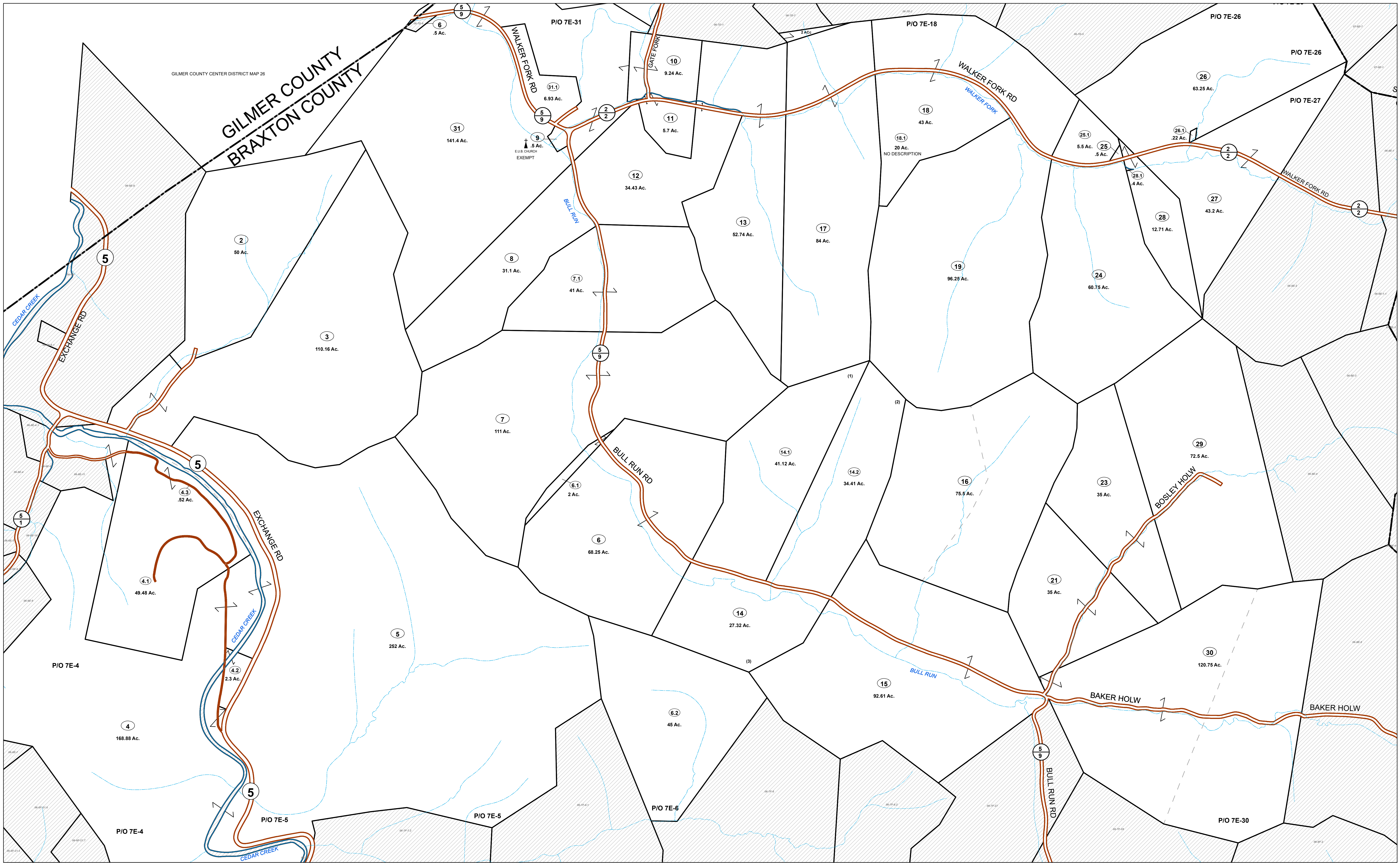


GILMER COUNTY  
BRAXTON COUNTY



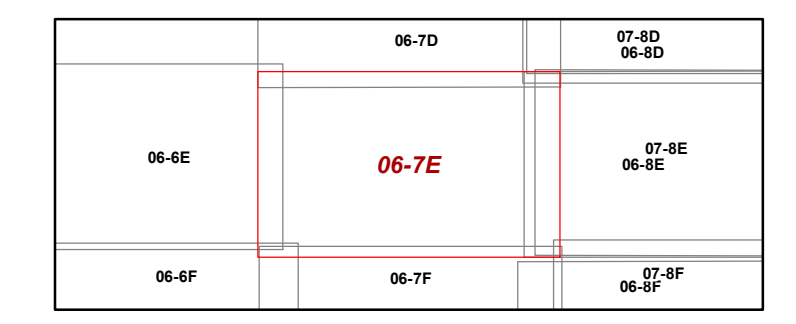
FOR TAX PURPOSES ONLY  
Prepared By:  
**Edith G Tichner**  
Braxton County Assessor

**Legend**

Property Line	Original Lot Line	Lot Number (15)
Road Right of Way	Corporation Line	Parcel Number (99)
District Line	District Line	Water
County Line	Railroad	

R	1	Revised 09/2/2020	9		17
e	2	Revised 01/31/2022	10		18
v	3	Revised 09/13/2022	11		19
i	4	Revised 01/18/2023	12		20
s	5	Revised 07/20/2023	13		21
i	6	Revised 07/20/2024	14		22
o	7	Revised 01/16/2024	15		23
n	8		16		24
s					

STATE OF WEST VIRGINIA  
COUNTY OF BRAXTON  
Office of Assessor



OTTER DISTRICT  
Map: 7E  
Date, Aerial Photography: 2019  
Date, Map: 1/16/2024  
Scale: 1 inch = 400 feet