

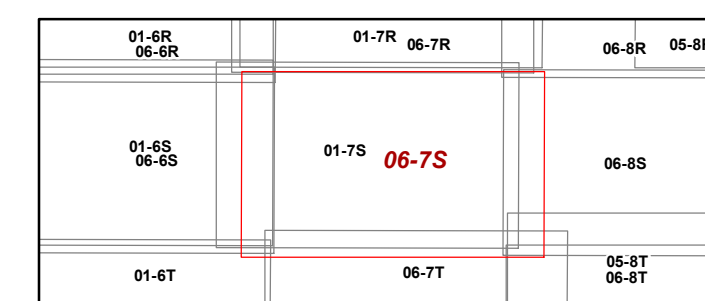
FOR TAX PURPOSES ONLY

Prepared By:
Edith G Tichner
Braxton County Assessor

Legend
 Property Line
 Road Right of Way
 Corporation Line
 District Line
 County Line
 Original Lot Line
 Lot Number (15)
 Parcel Number (99)
 Water
 Railroad

R	1	Revised 09/2/2020	9	17
e	2	Revised 01/31/2022	10	18
v	3	Revised 09/13/2022	11	19
i	4	Revised 01/18/2023	12	20
s	5	Revised 07/20/2023	13	21
e	6	Revised 01/16/2024	14	22
n	7		15	23
s	8		16	24

STATE OF WEST VIRGINIA
COUNTY OF BRAXTON
 Office of Assessor



OTTER DISTRICT

Map: 7S

Date, Aerial Photography: 2019

Date, Map: 1/16/2024

Scale: 1 inch = 400 feet