

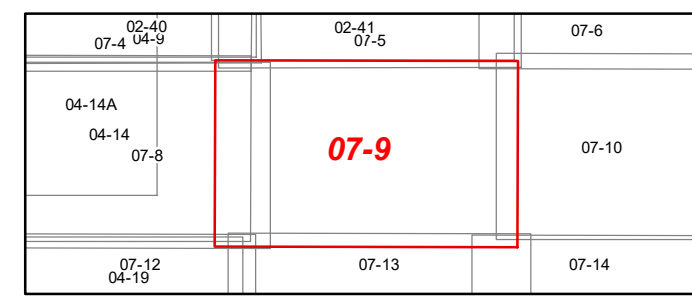
FOR TAX PURPOSES ONLY
 Prepared By:
Brian K. Thomas
 Jackson County Assessor

Legend

Property Line	Original Lot Line	Lot Number (15)
Road Right of Way	Lot Number	99
Corporation Line	Parcel Number	
District Line	Water	
County Line	Railroad	

R	1	Revised 3/8/2019	9	17
e	2	Revised 2/15/2022	10	18
v	3	Revised 1/20/2023	11	19
i	4	Revised 2/5/2024	12	20
s	5		13	21
i	6		14	22
o	7		15	23
n	8		16	24

STATE OF WEST VIRGINIA
COUNTY OF JACKSON
 Office of Assessor



Washington
 Map: 9
 Date, Map: 2/5/2024
 Scale: 1" = 400'