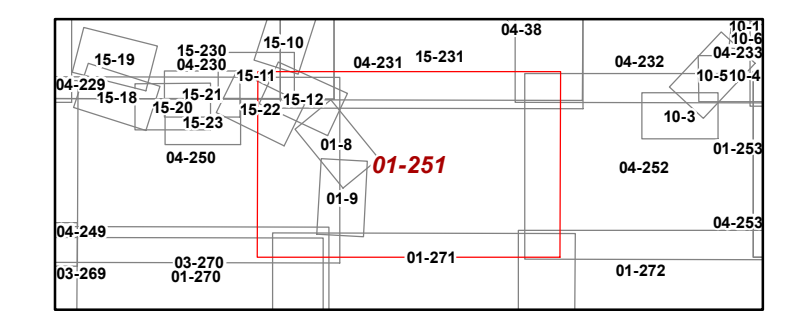


FOR TAX PURPOSES ONLY
 Prepared By:
Avery Ray Bailey
 McDowell County Assessor

Legend
 Property Line ———
 Road Right of Way ———
 Corporation Line ———
 District Line ———
 County Line ———
 Original Lot Line ———
 Lot Number (15) ———
 Parcel Number (99) ———
 Water ———
 Railroad ———

R	1	Revised 2/11/2021	9		17
e	2	Revised 1/27/2023	10		18
v	3	Revised 9/18/2023	11		19
i	4		12		20
s	5		13		21
i	6		14		22
o	7		15		23
n	8		16		24

STATE OF WEST VIRGINIA
COUNTY OF McDOWELL
 Office of Assessor



ADKIN DISTRICT
 Map: 251
 Date, Aerial Photography: 2019
 Date, Map: 3/15/2024
 Scale: 1 inch = 400 feet