

WV LEGISLATIVE REGULATION
TITLE 189 SERIES 2009

Disclaimer: This tax map was compiled for purposes of taxation from available record evidence and has not been field verified. This map is not a valid survey plat and the data on this map does not imply any official status to such data. The State of West Virginia and county assessors' office assume no liability that might result from the use of this map.

Restrictions: All finished tax maps created under the provisions of legislation are the property of the county assessors who created them and the reproduction, copying, distribution, sale, or lease of such tax maps or copies thereof without the written permissions of the respective county assessors is prohibited by law.

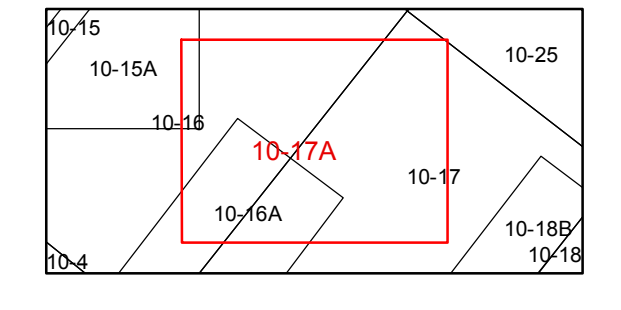
Legend

| | | | | | |
|------------------|-------|-----------------|-----|------------------------|-------|
| Corporation line | --- | Railroad | —+— | School | Ⓜ |
| District line | - - - | Lot line | — | Church | Ⓜ |
| County line | — | Road Centerline | — | Deed lot number | (25) |
| State line | — | Streams | — | Parcel or index number | (92) |
| Property Line | — | Trans Line | — | Parcel acreage | 527.5 |
| Right of Way | — | Cemetery | — | | |

Revisions

| | | | |
|-------------------------|--------------------------|--------------------------|--------------------------|
| 1 AS OF JULY 1 1996 KWS | 6 AS OF JULY 1 2001 JVB | 11 AS OF JULY 1 2007 JVB | 16 AS OF JAN 1 2014 ASC |
| 2 AS OF JULY 1 1997 KWS | 7 AS OF JULY 1 2002 JVB | 12 AS OF JULY 1 2008 RIR | 17 AS OF JAN 1 2015 ASC |
| 3 AS OF JULY 1 1998 JVB | 8 AS OF JULY 1 2003 JVB | 13 AS OF JULY 1 2011 ASC | 18 AS OF JAN 1 2017 ASC |
| 4 AS OF JULY 1 1999 JVB | 9 AS OF JULY 1 2004 JVB | 14 AS OF MAR 29 2012 ASC | 19 AS OF JAN 31 2019 AGD |
| 5 AS OF JULY 1 2000 JVB | 10 AS OF JULY 1 2005 JVB | 15 AS OF JAN 1 2013 ASC | |

STATE OF WEST VIRGINIA
COUNTY OF HAMPSHIRE
 Office of Assessor



Springfield
 Map: 17A
 Created: 1/31/2019
 Scale: 1 in = 200 ft