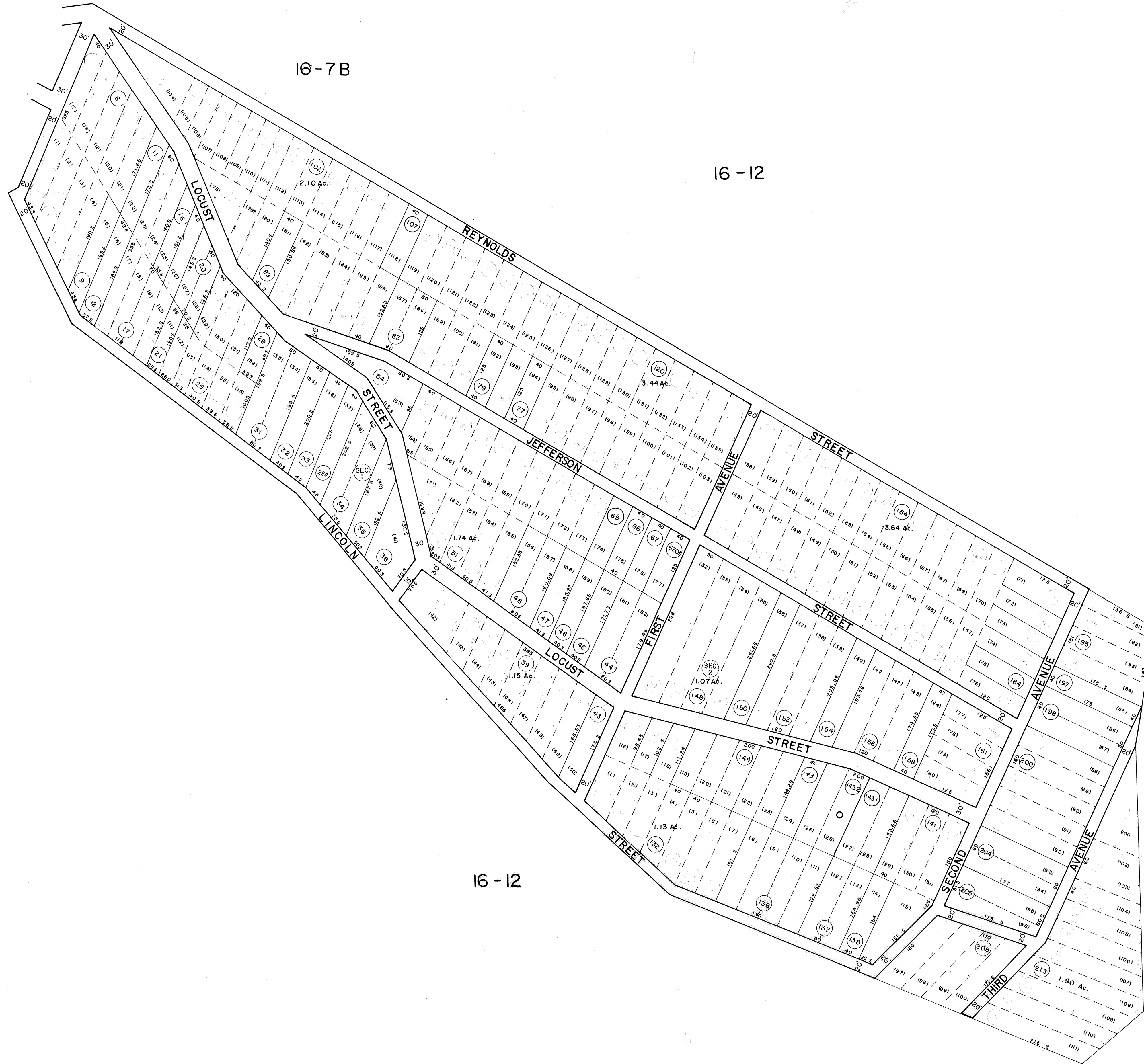
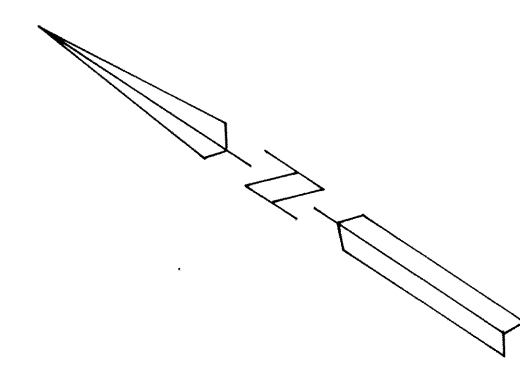


16 - 6Q

16-7B

16-12



16 - 12

DRAFTED BY: gm
CHECKED BY: ES

FOR TAX PURPOSES ONLY

PREPARED BY

AERO SERVICE
CORPORATION
A DIVISION OF LITTON INDUSTRIES
210 E. COURTLAND ST. PHILADELPHIA, PA. 19120

AMERICAN AIR SURVEYS, INC.
907 PENN AVENUE, PITTSBURGH 22, PA.
NEW YORK ATLANTA

Legend

Property Line	—	Original lot line	—
Right of way line	—	Deed lot number (in parenthesis)	(15)
Edge of pavement or roadway	—	Parcel or index number (in circle)	(99)
Corporation line	—	Improvement	○
District line	—	Railroad	—
County line	—	Scaled Dimension	S
Stream	—	Original block number	(22)

Revisions

1	9/19/72	SWP	9	17
2	7-82	LES	10	18
3	Revised 7-1-85	LES	11	19
4	Revised 7-1-87	LES	12	20
5	O.G.I.S 6-20-96	J.E.B	13	21
6	6-1-97	J.E.B	14	22
7	11-06-02	J.A.B.	15	23
8	7-11-04	J.A.B.	16	24

KANAWHA COUNTY
Office of Assessor
CHARLESTON, WEST VIRGINIA

JEFFERSON DISTRICT - 16

Map No. 12 H

Photo No.: 506

Scale: 1" = 100'

Date, Photography: April, May 1964

Date, Map: 9-30-65