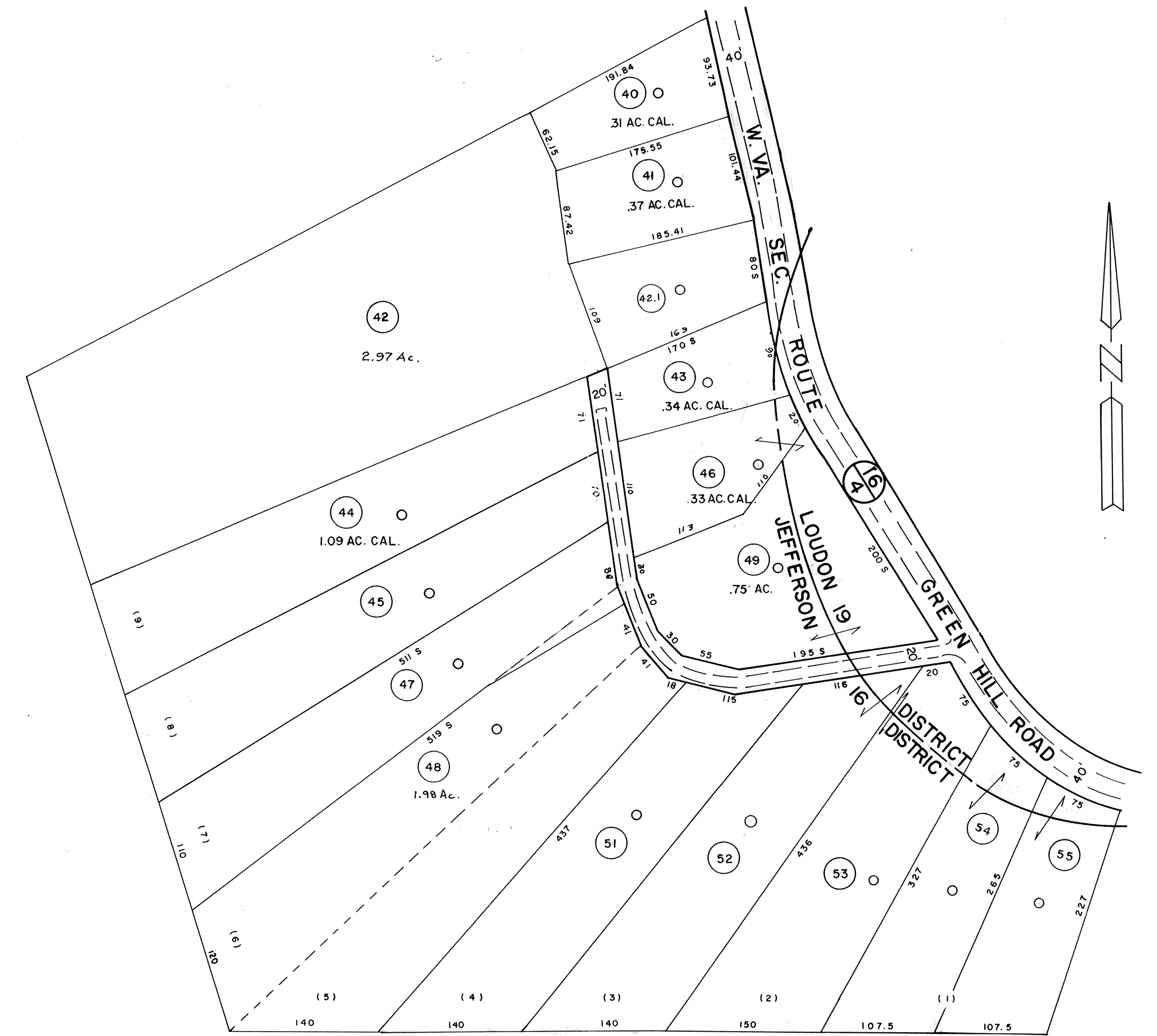
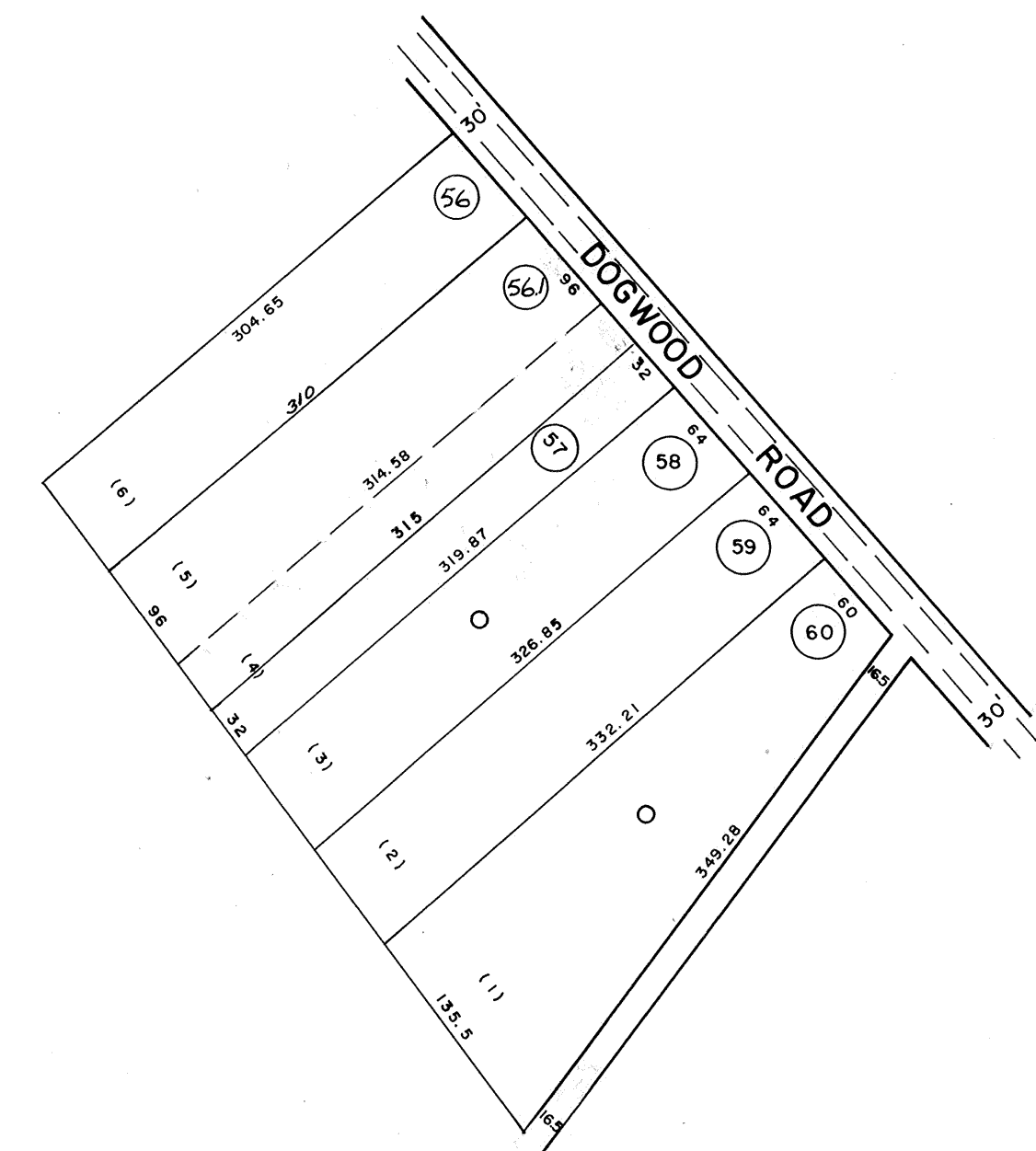




INSET I



INSET 2



INSET 3

DRAFTED BY: C.T.
 CHECKED BY: ES

FOR TAX PURPOSES ONLY

PREPARED BY
AERO SERVICE CORPORATION
 A DIVISION OF LITTON INDUSTRIES
 210 E. COURTLAND ST. PHILADELPHIA, PA. 19120

AMERICAN AIR SURVEYS, INC.
 907 PENN AVENUE, PITTSBURGH 22, PA.
 NEW YORK ATLANTA

Legend

| | |
|-----------------------------|------------------------------------|
| Property line | Original lot line |
| Right of way line | Deed lot number (in parenthesis) |
| Edge of pavement or roadway | Parcel or index number (in circle) |
| Corporation line | Improvement |
| District line | Railroad |
| County line | Scaled Dimension |
| Stream | Original block number |
| | CALCULATED AREA |

Revisions

| | | | | | | |
|---|-------------------|------|----|-----------------|--------|----|
| 1 | 9/10/72 | JWP | 5 | O.G.I.S. 8-1-93 | J.E.B. | 17 |
| 2 | 11 Aug 73 | RAW | 10 | OGIS 7/2/96 | DSH | 18 |
| 3 | 9-29-75 | 3C | 11 | 6-1-97 | J.E.B. | 19 |
| 4 | 2/28/77 | T.C. | 12 | 11-07-02 | J.A.B. | 20 |
| 5 | 1/29/79 | | 13 | 12-7-06 | J.A.B. | 21 |
| 6 | Revised to 7-1-82 | | 14 | 5-1-12 | J.A.B. | 22 |
| 7 | Revised to 7-1-85 | | 15 | K.C.A. 1-1-2014 | | 23 |
| 8 | Revised to 7-1-87 | | 16 | | | 24 |

KANAWHA COUNTY
 Office of Assessor
 CHARLESTON, WEST VIRGINIA

JEFFERSON DISTRICT - 16

Map No. 17 C

Photo No.: 156, 158 Scale: 1"=100'
 Date, Photography: April, May 1964 Date, Map: 9-30-65