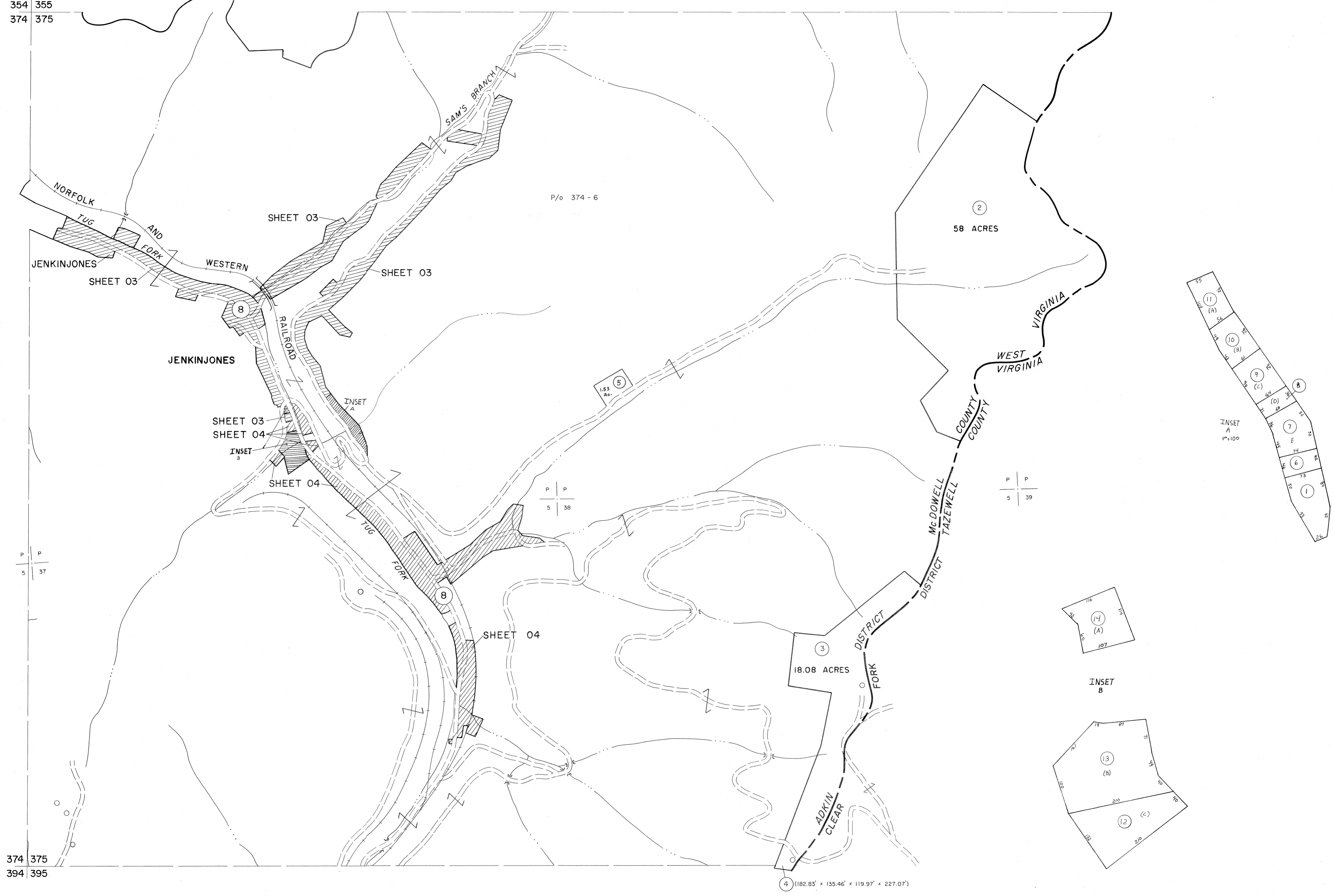


354 355  
374 375

355 356  
375



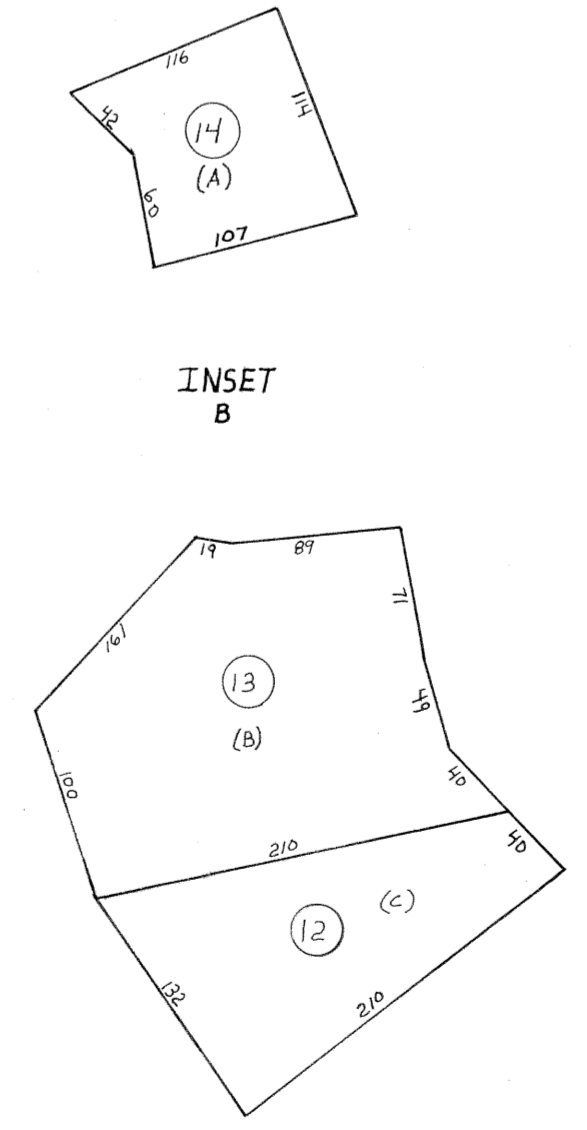
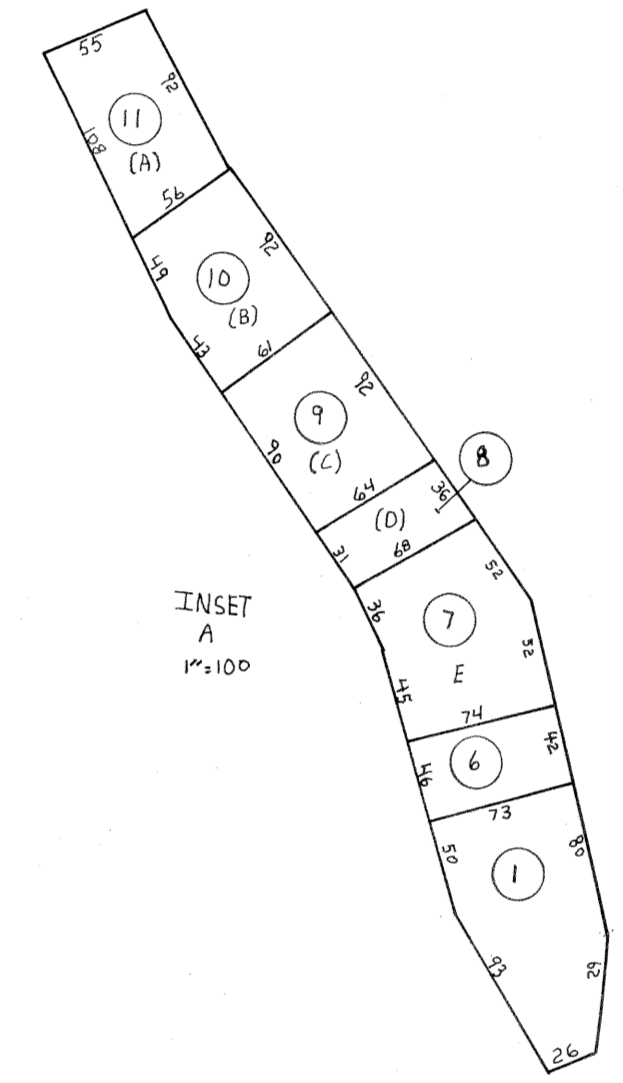
P P  
5 37

P P  
5 38

P P  
5 39

374 375  
394 395

375  
395



For Tax Purposes Only  
 Prepared by  
**MICHAEL BAKER, JR., INC.**  
 Consulting Engineers  
 Rochester, Pennsylvania

Legend	
Property line	—
Edge of pavement or roadway	—
Corporation line	—
District line	—
County line	—
Original lot line	—
Deed lot number	(15)
Parcel or index number	(2)
Improvement	○
Railroad	—

Revisions			
1	4-15-64	9	17
2	12-11-74	10	18
3	To JULY 1983 C.P.	11	19
4	6/26/98	12	20
5	6/26/98 JWM	13	21
6	3/28/08 SBH	14	22
7		15	23
8		16	24

KEY MAP

**MCDOWELL COUNTY**  
 STATE OF WEST VIRGINIA  
 Office of Assessor

DISTRICT **ADKIN**  
**SHEET NO: 375**  
 Date, Aerial Photography: April, 1961 Date, Map: July, 1962  
 Photo No: Scale: 1" = 400'