

FOR TAX PURPOSES ONLY

PREPARED BY
RALEIGH COUNTY ASSESSOR'S OFFICE
BECKLEY, WV

RESTRICTION

ALL TAX MAPS CREATED UNDER THE PROVISIONS OF REAPPRAISAL LEGISLATION ARE THE PROPERTY OF RALEIGH COUNTY, WEST VIRGINIA. THE REPRODUCTION, COPYING, DISTRIBUTION OR SALE OF SUCH TAX MAPS OR ANY COPIES THEREOF WITHOUT THE WRITTEN PERMISSION OF THE RALEIGH COUNTY ASSESSOR IS PROHIBITED BY LAW.

REVISIONS
1 01/14/97 CLG
2 10/16/98 CLG
3 06/15/99 CLG
4 11/17/99 CLG
5 05/23/06 CLG
6 01/12/09 TPB
7 03/13/18 BIE
8
9
10

TOWN DIST
BECKLEY CORP

FAYETTE CO
RALEIGH CO

01-17
01-36

LEGEND

CORPORATION/DISTRICT
BOUNDARY AND NAME

COUNTY BOUNDARY AND
NAME

ORIGINAL MAP BOUNDARY
AND NUMBER

7TH STREET

RIGHT-OF-WAY

PROPERTY LINE

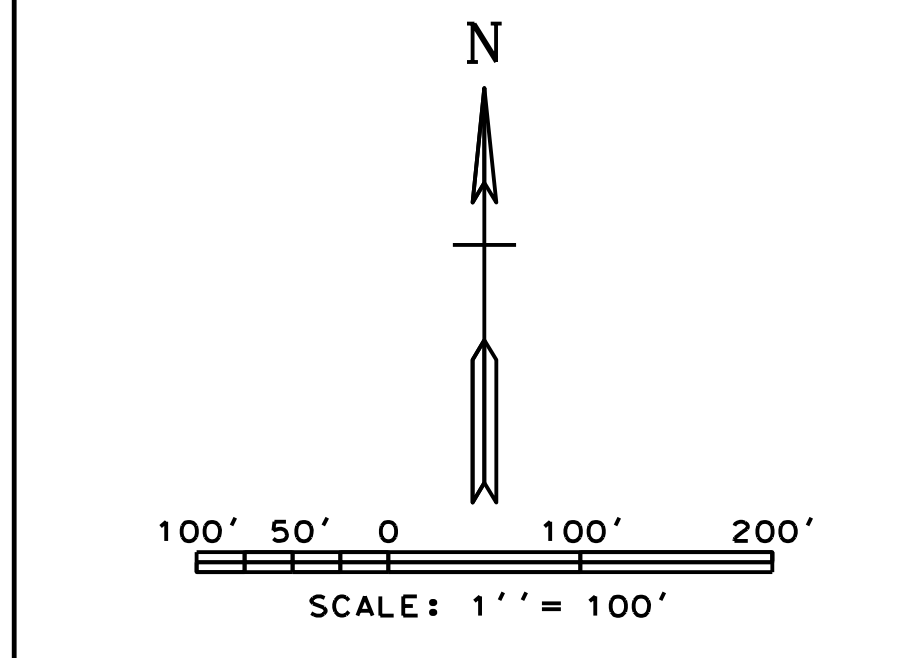
ORIGINAL LOT LINE

DEED LOT NUMBER

PARCEL OR INDEX NUMBER

2019 CHANGE

BLOCK NUMBER



COUNTY OF RALEIGH
OFFICE OF ASSESSOR
BECKLEY, WEST VIRGINIA

BECKLEY CORPORATION
DISTRICT 01
MAP NO. 42