

**FOR TAX PURPOSES ONLY**

PREPARED BY  
**RALEIGH COUNTY ASSESSOR'S OFFICE**  
 BECKLEY, WV

---

**RESTRICTION**

ALL TAX MAPS CREATED UNDER THE PROVISIONS OF REAPPRAISAL LEGISLATION ARE THE PROPERTY OF RALEIGH COUNTY, WEST VIRGINIA. THE REPRODUCTION, COPYING, DISTRIBUTION OR SALE OF SUCH TAX MAPS OR ANY COPIES THEREOF WITHOUT THE WRITTEN PERMISSION OF THE RALEIGH COUNTY ASSESSOR IS PROHIBITED BY LAW.

REVISIONS	
1	08/07/01 CLG
2	11/21/02 CLG
3	02/11/03 CLG
4	11/10/04 CLG
5	08/31/05 CLG
6	05/25/06 CLG
7	01/26/07 CLG
8	07/29/08 ADL
9	06/05/09 TPB
10	09/03/15 PRB

**TOWN DIST**  
 BECKLEY CORP

**FAYETTE CO**  
 RALEIGH CO

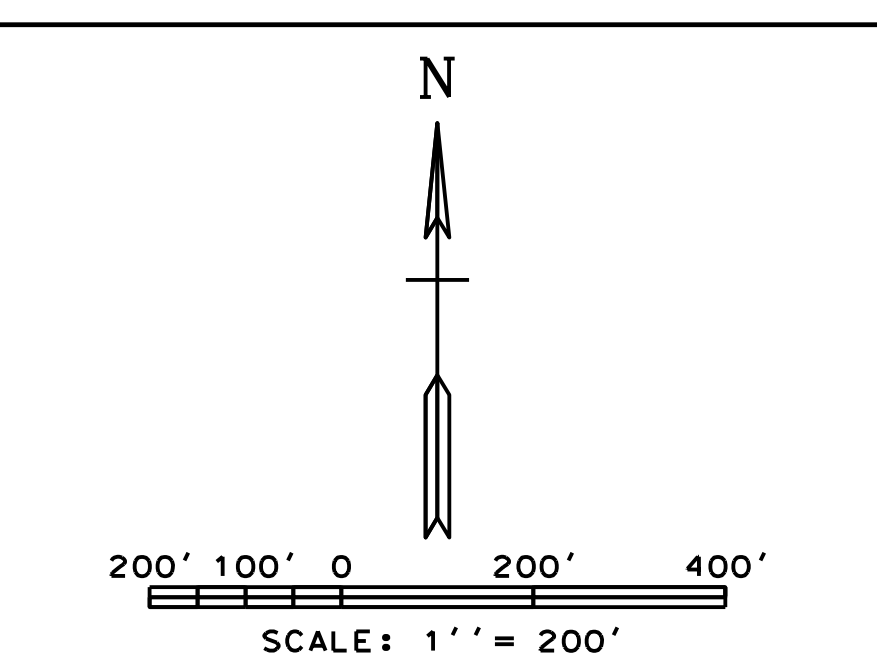
**01-17**  
**01-36**

CORPORATION/DISTRICT BOUNDARY AND NAME

COUNTY BOUNDARY AND NAME

ORIGINAL MAP BOUNDARY AND NUMBER

LEGEND		
	7TH STREET	RIGHT-OF-WAY
		PROPERTY LINE
		ORIGINAL LOT LINE
	(9)	DEED LOT NUMBER
	(38.0)	PARCEL OR INDEX NUMBER
		2011 CHANGE
	(2)	BLOCK NUMBER



**COUNTY OF RALEIGH**  
 OFFICE OF ASSESSOR  
 BECKLEY, WEST VIRGINIA

**BECKLEY CORPORATION**  
 DISTRICT 01  
 MAP NO. 49A