

FOR TAX PURPOSES ONLY

PREPARED BY
 RALEIGH COUNTY ASSESSOR'S OFFICE
 BECKLEY, WV

RESTRICTION

ALL TAX MAPS CREATED UNDER THE PROVISIONS OF REAPPRAISAL LEGISLATION ARE THE PROPERTY OF RALEIGH COUNTY, WEST VIRGINIA. THE REPRODUCTION, COPYING, DISTRIBUTION OR SALE OF SUCH TAX MAPS OR ANY COPIES THEREOF WITHOUT THE WRITTEN PERMISSION OF THE RALEIGH COUNTY ASSESSOR IS PROHIBITED BY LAW.

REVISIONS	
1	05/05/97 CLG
2	05/06/98 CLG
3	
4	
5	
6	
7	
8	
9	
10	

TOWN DIST
 BECKLEY CORP

FAYETTE CO
 RALEIGH CO

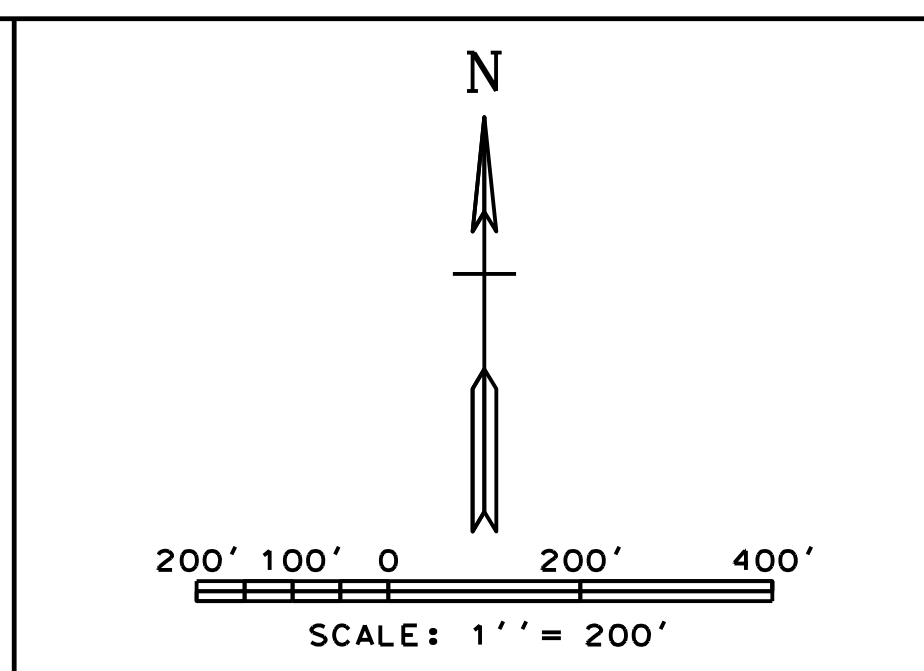
01-17
 01-36

CORPORATION/DISTRICT BOUNDARY AND NAME

COUNTY BOUNDARY AND NAME

ORIGINAL MAP BOUNDARY AND NUMBER

LEGEND	
7TH STREET	RIGHT-OF-WAY
---	PROPERTY LINE
---	ORIGINAL LOT LINE
(9)	DEED LOT NUMBER
(38.0)	PARCEL OR INDEX NUMBER
②	2011 CHANGE
②	BLOCK NUMBER



COUNTY OF RALEIGH
 OFFICE OF ASSESSOR
 BECKLEY, WEST VIRGINIA

BECKLEY CORPORATION
 DISTRICT 01
 MAP NO. 57