

FOR TAX PURPOSES ONLY

PREPARED BY
RALEIGH COUNTY ASSESSOR'S OFFICE
 BECKLEY, WV

RESTRICTION

ALL TAX MAPS CREATED UNDER THE PROVISIONS OF REAPPRAISAL LEGISLATION ARE THE PROPERTY OF RALEIGH COUNTY, WEST VIRGINIA. THE REPRODUCTION, COPYING, DISTRIBUTION OR SALE OF SUCH TAX MAPS OR ANY COPIES THEREOF WITHOUT THE WRITTEN PERMISSION OF THE RALEIGH COUNTY ASSESSOR IS PROHIBITED BY LAW.

REVISIONS
1 12/05/96 CLG
2 08/07/97 CLG
3 04/03/98 CLG
4 06/15/99 CLG
5 06/22/00 CLG
6 11/21/03 CLG
7 09/01/05 CLG
8 03/12/10 TPB
9
10

TOWN DIST
BECKLEY CORP

FAYETTE CO
RALEIGH CO

01-17
01-36

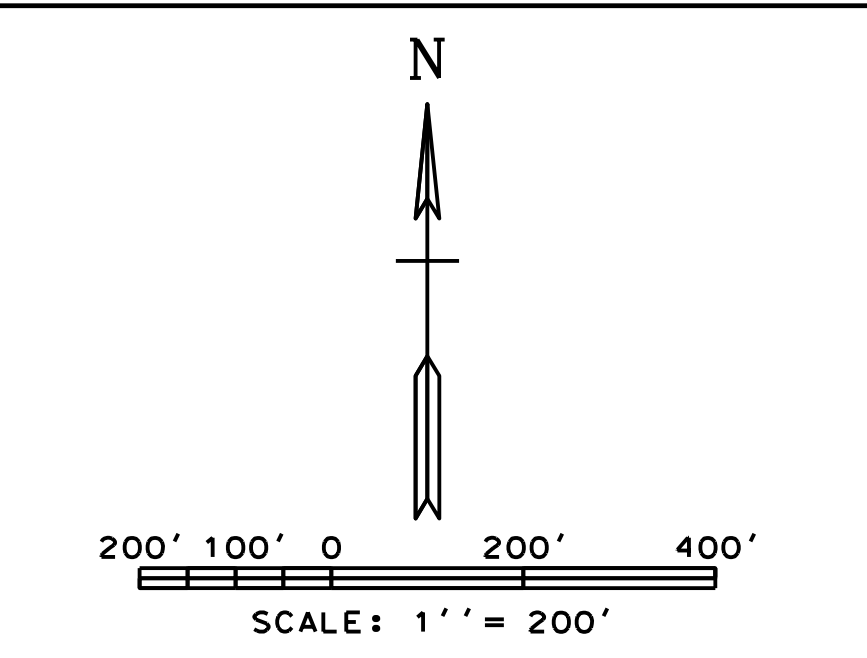
CORPORATION/DISTRICT BOUNDARY AND NAME

COUNTY BOUNDARY AND NAME

ORIGINAL MAP BOUNDARY AND NUMBER

LEGEND

	7TH STREET	RIGHT-OF-WAY
	PROPERTY LINE	
	ORIGINAL LOT LINE	
	DEED LOT NUMBER	
	PARCEL OR INDEX NUMBER	
	2011 CHANGE	
	BLOCK NUMBER	



COUNTY OF RALEIGH
OFFICE OF ASSESSOR
BECKLEY, WEST VIRGINIA

BECKLEY CORPORATION
DISTRICT 01
MAP NO. 58