

FOR TAX PURPOSES ONLY

PREPARED BY  
RALEIGH COUNTY ASSESSOR'S OFFICE  
BECKLEY, WV

RESTRICTION

ALL TAX MAPS CREATED UNDER THE PROVISIONS OF REAPPRAISAL LEGISLATION ARE THE PROPERTY OF RALEIGH COUNTY, WEST VIRGINIA. THE REPRODUCTION, COPYING, DISTRIBUTION OR SALE OF SUCH TAX MAPS OR ANY COPIES THEREOF WITHOUT THE WRITTEN PERMISSION OF THE RALEIGH COUNTY ASSESSOR IS PROHIBITED BY LAW.

REVISIONS
1
2
3
4
5
6
7
8
9
10

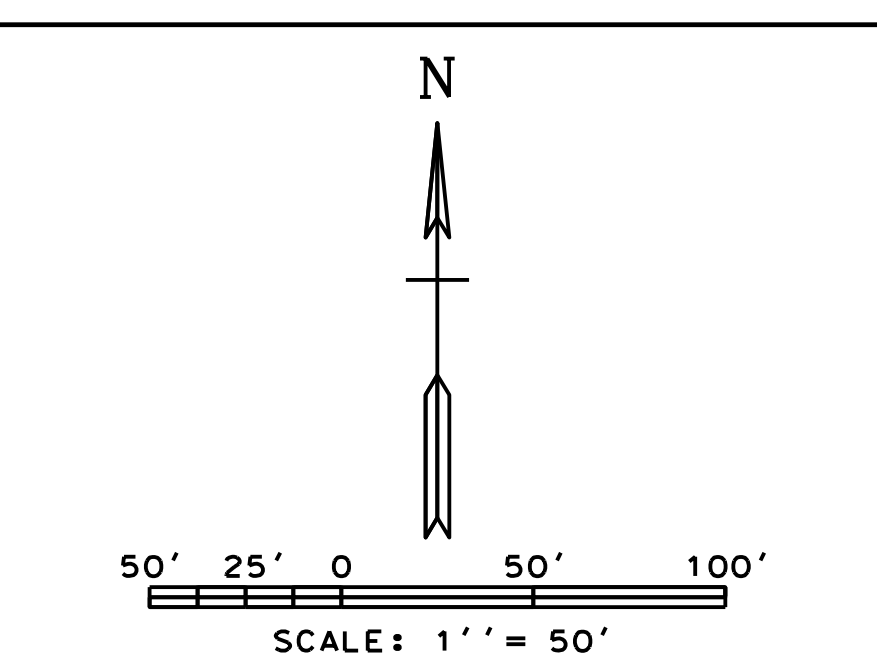
**TOWN DIST**  
BECKLEY CORP

**FAYETTE CO**  
RALEIGH CO

01-17  
01-36

**LEGEND**

- CORPORATION/DISTRICT BOUNDARY AND NAME
- 7TH STREET
- RIGHT-OF-WAY
- PROPERTY LINE
- ORIGINAL LOT LINE
- (9) DEED LOT NUMBER
- (38.0) PARCEL OR INDEX NUMBER
- 2011 CHANGE
- (2) BLOCK NUMBER



**COUNTY OF RALEIGH**  
**OFFICE OF ASSESSOR**  
**BECKLEY, WEST VIRGINIA**

BECKLEY CORPORATION  
DISTRICT 01  
MAP NO. 73