

FOR TAX PURPOSES ONLY

PREPARED BY
RALEIGH COUNTY ASSESSOR'S OFFICE
BECKLEY, WV

RESTRICTION

ALL TAX MAPS CREATED UNDER THE PROVISIONS OF REAPPRAISAL LEGISLATION ARE THE PROPERTY OF RALEIGH COUNTY, WEST VIRGINIA. THE REPRODUCTION, COPYING, DISTRIBUTION OR SALE OF SUCH TAX MAPS OR ANY COPIES THEREOF WITHOUT THE WRITTEN PERMISSION OF THE RALEIGH COUNTY ASSESSOR IS PROHIBITED BY LAW.

REVISIONS	
1	10/25/99 CLG
2	11/18/99 CLG
3	12/10/04 CLG
4	12/08/06 CLG
5	10/19/07 ADL
6	06/03/10 TPB
7	09/08/10 CDB
8	08/08/13 JLW
9	09/17/13 JLW
10	06/29/15 JLW

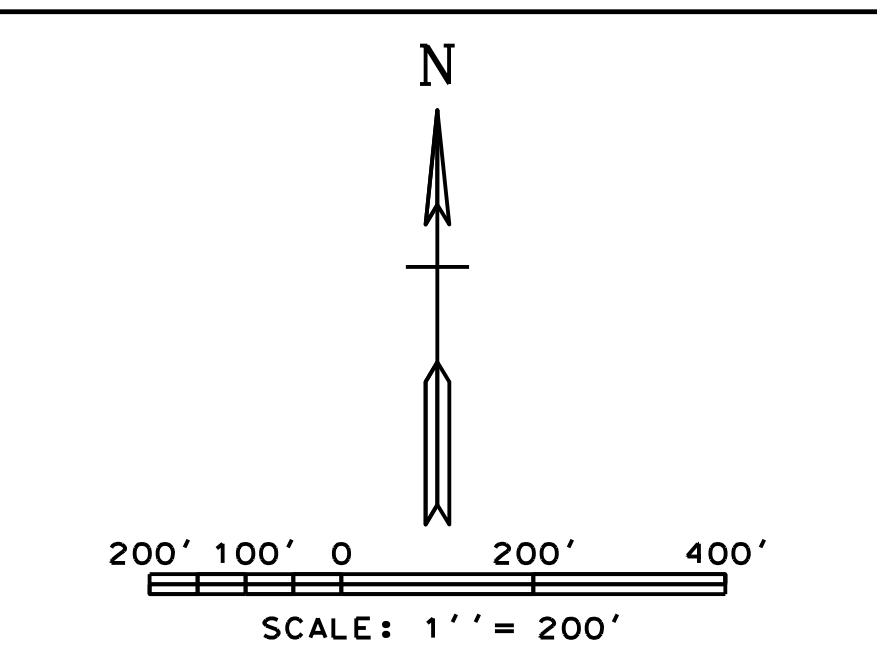
TOWN DIST
BECKLEY CORP

FAYETTE CO
COUNTY BOUNDARY AND NAME

RALEIGH CO
COUNTY BOUNDARY AND NAME

01-17
01-36

LEGEND	
7TH STREET	RIGHT-OF-WAY
PROPERTY LINE	PROPERTY LINE
ORIGINAL LOT LINE	ORIGINAL LOT LINE
(9)	DEED LOT NUMBER
(38.0)	PARCEL OR INDEX NUMBER
2015 CHANGE	2015 CHANGE
(2)	BLOCK NUMBER



COUNTY OF RALEIGH
OFFICE OF ASSESSOR
BECKLEY, WEST VIRGINIA

BECKLEY CORPORATION
DISTRICT 01
MAP NO. 75