

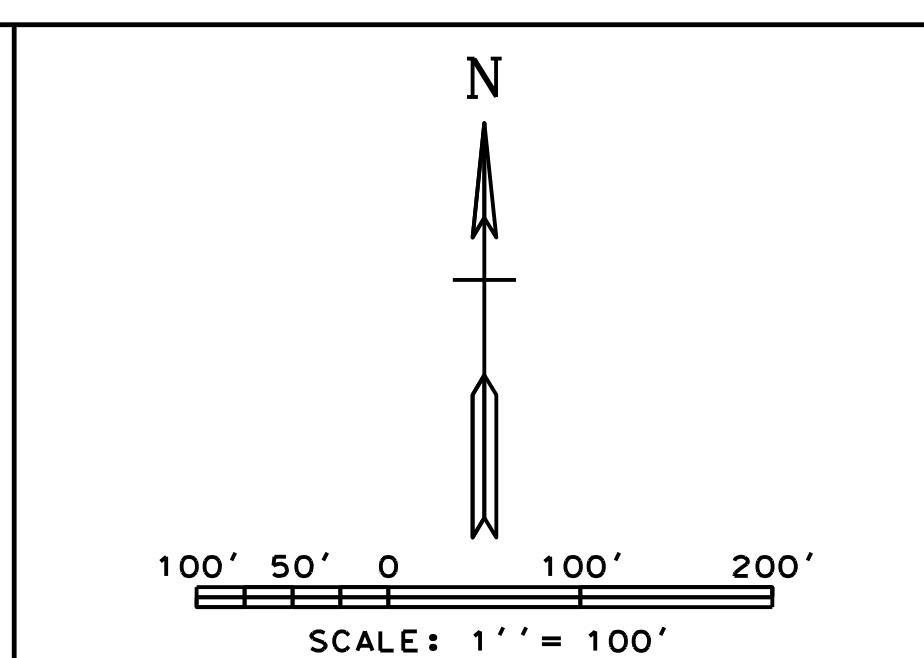
P/O TOWN DIST
MAP 12- PAR 1-0

FOR TAX PURPOSES ONLY
 PREPARED BY
 RALEIGH COUNTY ASSESSOR'S OFFICE
 BECKLEY, WV

RESTRICTION
 ALL TAX MAPS CREATED UNDER THE PROVISIONS OF
 REAPPRAISAL LEGISLATION ARE THE PROPERTY OF RALEIGH
 COUNTY, WEST VIRGINIA. THE REPRODUCTION, COPYING,
 DISTRIBUTION OR SALE OF SUCH TAX MAPS OR ANY COPIES
 THEREOF WITHOUT THE WRITTEN PERMISSION OF THE
 RALEIGH COUNTY ASSESSOR IS PROHIBITED BY LAW.

REVISIONS	
1	12/16/96 CLG
2	04/03/98 CLG
3	02/04/02 CLG
4	09/06/05 CLG
5	06/01/12 PRB
6	08/27/18 BIE
7	
8	
9	
10	

LEGEND	
	TOWN DIST BECKLEY CORP CORPORATION/DISTRICT BOUNDARY AND NAME
	FAYETTE CO RALEIGH CO COUNTY BOUNDARY AND NAME
	01-17 01-36 ORIGINAL MAP BOUNDARY AND NUMBER
	7TH STREET RIGHT-OF-WAY
	PROPERTY LINE
	ORIGINAL LOT LINE
	(9) DEED LOT NUMBER
	(38.0) PARCEL OR INDEX NUMBER
	2019 CHANGE
	2 BLOCK NUMBER



COUNTY OF RALEIGH
OFFICE OF ASSESSOR
BECKLEY, WEST VIRGINIA

BECKLEY CORPORATION
DISTRICT 01
MAP NO. 77