



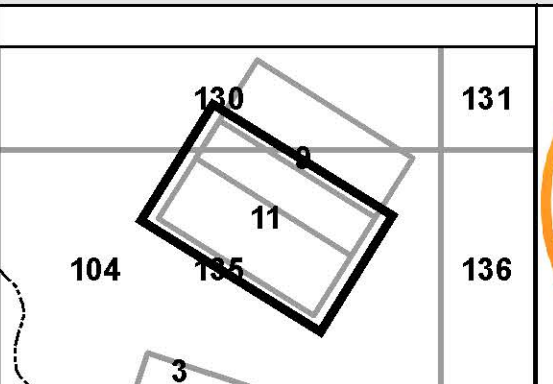
FOR TAX PURPOSES ONLY
LANDMARK
 geospatial

Legend	
	District Boundary
	Previous Deed
	Property
	Road Easement
	Railroad Right of Way
	Road Right of Way
	River
	Deed lot Number (16)
	Parcel or Index Number
	UNKNOWN
	Improvement
	Cemetery
	School
	Church

Restriction

All tax maps created under the provisions of reappraisal legislation are the property of the Assessor of Randolph County, West Virginia and the reproduction, copying, modification, distribution or sale of such tax maps or any copies thereof without the written permission of the Randolph County Assessor is prohibited by law.

Revisions			
1	D.F. 3-26-1981	10	19
2	OGIS T.L. 4-30-1992	11	20
3	OGIS T.L. 5-6-1993	12	21
4	SLS INC. J.W.M. 3-19-97	13	22
5		14	23
6		15	24
7		16	25
8		17	26
9		18	27
			28
			29
			30
			31
			32
			33
			34
			35
			36



RANDOLPH COUNTY
 Assessor's Office
 Phyllis K. Yokum, Assessor
 ELKINS, WV

BEVERLY
 District 02 Map No. 11
 Date of Publication: 1/28/2019
 Scale: 1"=100'