

1
2.7 Ac.

136x116x52x41x117x257

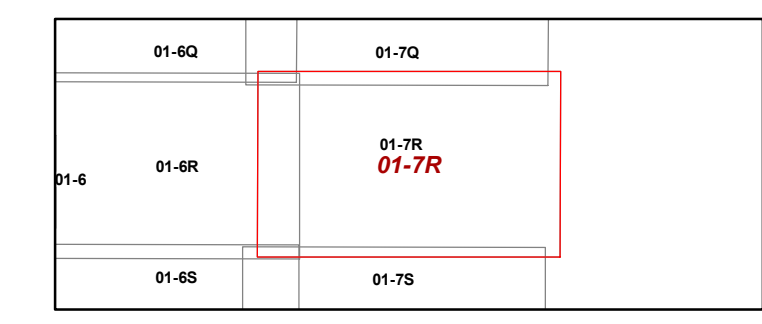
FOR TAX PURPOSES ONLY
Prepared By:
Edith G. Tichner
Braxton County Assessor

Legend

Property Line	Original Lot Line	(15)
Road Right of Way	Lot Number	(99)
Corporation Line	Parcel Number	
District Line	Water	
County Line	Railroad	

1	Revised 09/2/2020	9	17
2	Revised 01/27/2022	10	18
3		11	19
4		12	20
5		13	21
6		14	22
7		15	23
8		16	24

STATE OF WEST VIRGINIA
COUNTY OF BRAXTON
Office of Assessor



BIRCH DISTRICT
Map: 7R
Date, Aerial Photography: 2019
Date, Map: 1/27/2022
Scale: 1" = 8,708'