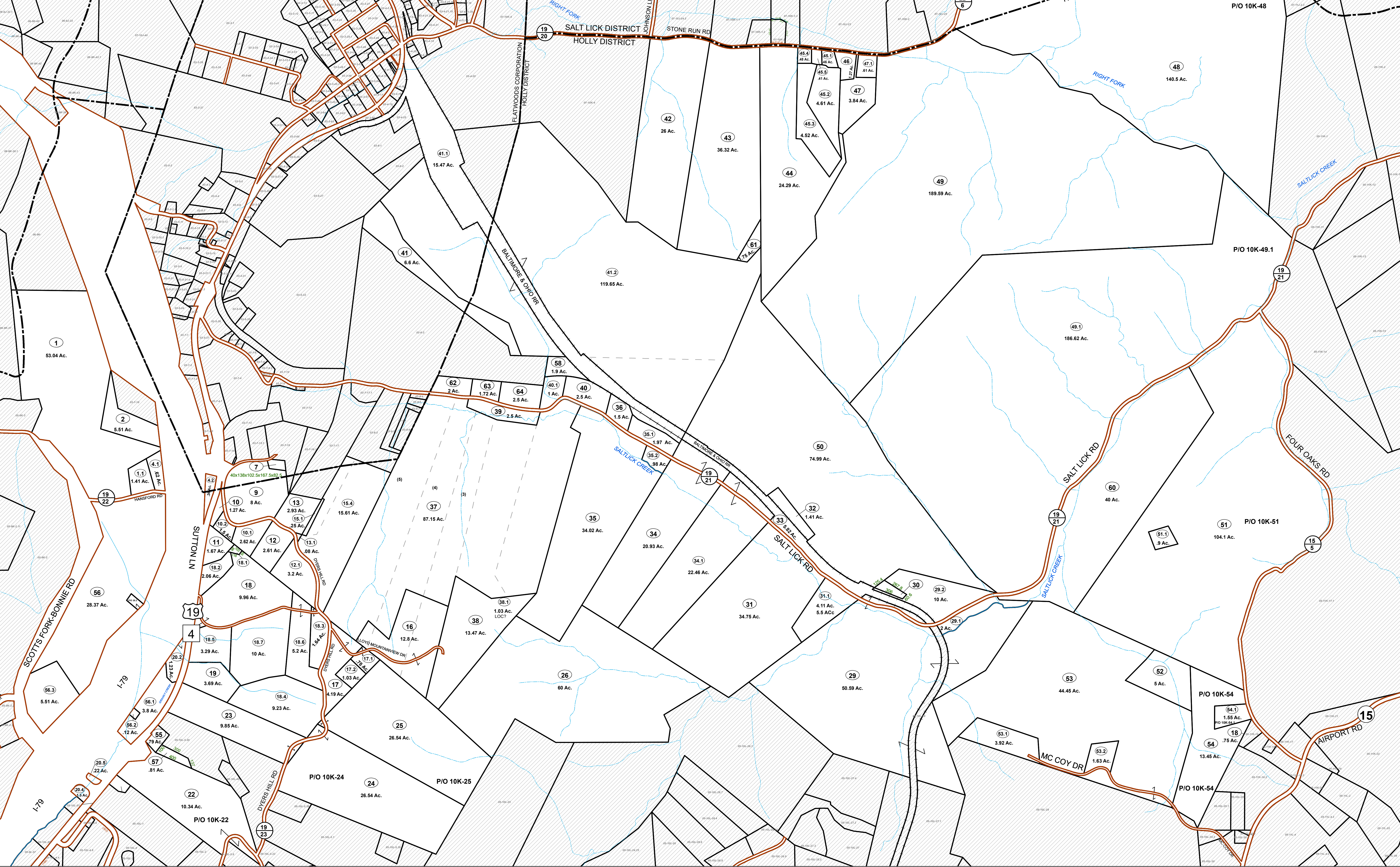


SALT LICK DISTRICT  
HOLLY DISTRICT



FOR TAX PURPOSES ONLY  
Prepared By:  
**Edith G Tichner**  
Braxton County Assessor

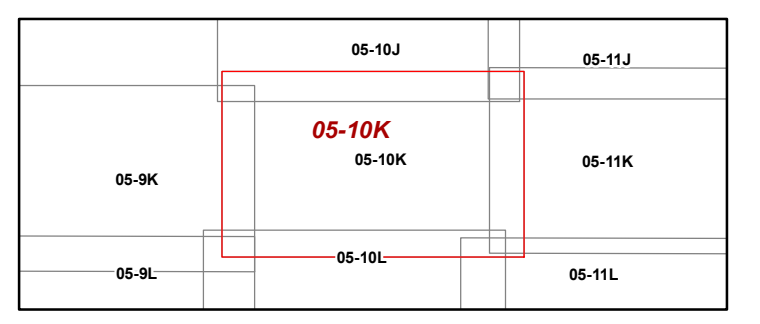
Property Line  
Road Right of Way  
Corporation Line  
District Line  
County Line

**Legend**

Original Lot Line  
Lot Number (15)  
Parcel Number (99)  
Water  
Railroad

R	1	Revised 09/2/2020	9		17
e	2	Revised 01/27/2022	10		18
v	3		11		19
i	4		12		20
s	5		13		21
i	6		14		22
o	7		15		23
n	8		16		24

**STATE OF WEST VIRGINIA**  
**COUNTY OF BRAXTON**  
Office of Assessor



**HOLLY\_DISTRICT**  
Map: 10K  
Date, Aerial Photography: 2019  
Date, Map: 1/27/2022  
Scale: 1" = 400'