



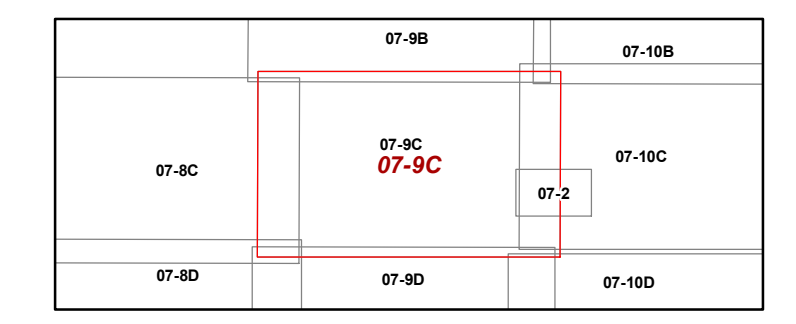
FOR TAX PURPOSES ONLY  
 Prepared By:  
**Edith G Tichner**  
 Braxton County Assessor

**Legend**

Property Line	Original Lot Line	Lot Number (15)
Road Right of Way	Corporation Line	Parcel Number (99)
District Line	District Line	Water
County Line	County Line	Railroad

R	1	Revised 09/2/2020	9	17
e	2	Revised 01/27/2022	10	18
v	3		11	19
i	4		12	20
s	5		13	21
i	6		14	22
o	7		15	23
n	8		16	24

**STATE OF WEST VIRGINIA**  
**COUNTY OF BRAXTON**  
 Office of Assessor



SALT LICK DISTRICT  
 Map: 9C  
 Date, Aerial Photography: 2019  
 Date, Map: 1/27/2022  
 Scale: 1" = 400'