

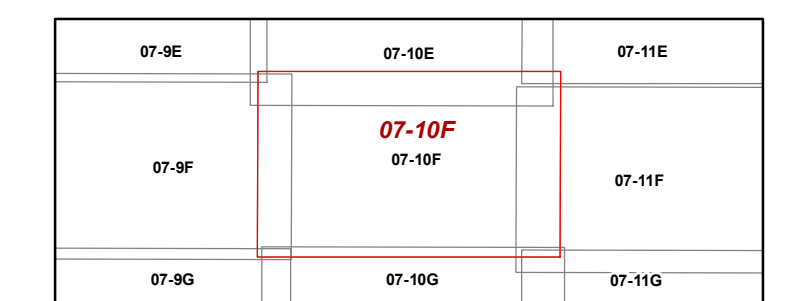
FOR TAX PURPOSES ONLY
 Prepared By:
Edith G Tichner
 Braxton County Assessor

Legend

Property Line	Original Lot Line	Lot Number (15)
Road Right of Way	Corporation Line	Parcel Number (99)
District Line	Water	Railroad
County Line		

R	1	Revised 09/2/2020	9		17
e	2	Revised 01/27/2022	10		18
v	3		11		19
i	4		12		20
s	5		13		21
i	6		14		22
o	7		15		23
n	8		16		24

STATE OF WEST VIRGINIA
COUNTY OF BRAXTON
 Office of Assessor



SALT LICK DISTRICT
 Map: 10F
 Date, Aerial Photography: 2019
 Date, Map: 1/27/2022
 Scale: 1" = 400'