

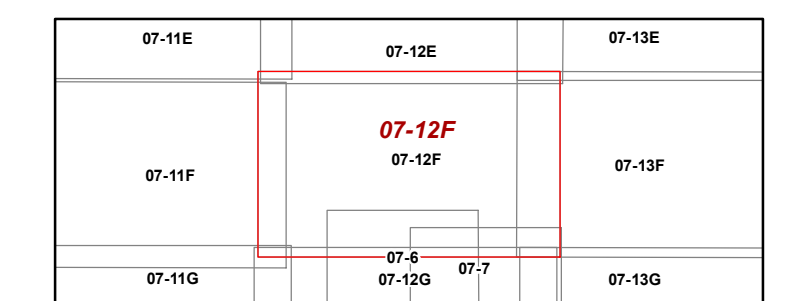
FOR TAX PURPOSES ONLY
 Prepared By:
Edith G Tichner
 Braxton County Assessor

Legend

Property Line	—	Original Lot Line	---
Road Right of Way	—	Lot Number	(15)
Corporation Line	—	Parcel Number	(99)
District Line	—	Water	—
County Line	—	Railroad	—

R	1	Revised 09/2/2020	9		17
e	2	Revised 01/27/2022	10		18
v	3		11		19
i	4		12		20
s	5		13		21
i	6		14		22
n	7		15		23
s	8		16		24

STATE OF WEST VIRGINIA
COUNTY OF BRAXTON
 Office of Assessor



SALT LICK DISTRICT
 Map: 12F
 Date, Aerial Photography: 2019
 Date, Map: 1/27/2022
 Scale: 1" = 400'