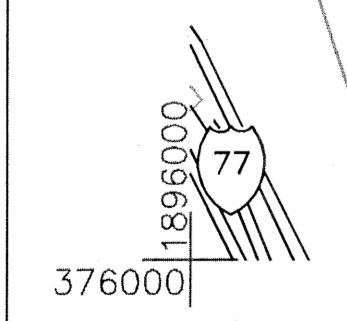


ASSESSED IN
KANAWHA COUNTY

P/O 51-1



MAP KEY		
	51	52
56	57	58
61	62	63

LEGEND	
Property Line	———
Roadway	———
Water	~~~~~
Corporation Line	———
District Line	———
County Line	———
State Line	———
Land Hook	z
Original Lot Line or Interior Tract	-----
Deed Lot Number	(15)
Parcel or Index Number	(9)
Improvement	o
Railroad	+++++
Scaled Dimension	s
Deeded Acreage	(D)
Calculated Area	(C)

RESTRICTIONS

All tax maps created under the provisions of reappraisal legislation are the property of the County of FAYETTE and the reproduction, copying, distribution or sale of such tax maps or any copies thereof without the written permission of the County Assessor is prohibited.

REVISIONS	

FAYETTE COUNTY
STATE OF WEST VIRGINIA
FAYETTEVILLE, West Virginia

VALLEY DISTRICT
MAP 57

COMPUTER FILE 03-57 Date Map: 12/8/95
Scale: 1" = 400'