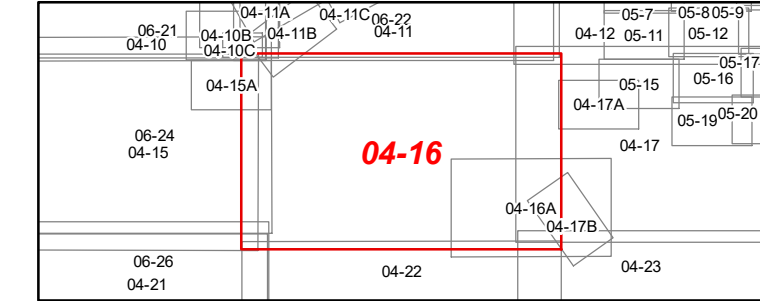


FOR TAX PURPOSES ONLY
 Prepared By:
Brian K. Thomas
 Jackson County Assessor

Legend	
Property Line	Original Lot Line
Road Right of Way	Lot Number (15)
Corporation Line	Parcel Number 99
District Line	Water
County Line	Railroad

R	1	Revised 3/8/2019	9		17
e	2	Revised 2/14/2022	10		18
v	3		11		19
i	4		12		20
s	5		13		21
i	6		14		22
o	7		15		23
n	8		16		24

STATE OF WEST VIRGINIA
COUNTY OF JACKSON
 Office of Assessor



Ripley
 Map: 16
 Date, Map: 2/18/2022
 Scale: 1" = 400'