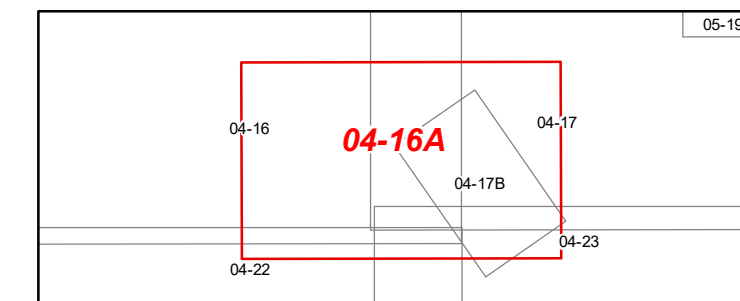


FOR TAX PURPOSES ONLY
 Prepared By:
Brian K. Thomas
 Jackson County Assessor

| Legend | |
|-------------------|-------------------|
| Property Line | Original Lot Line |
| Road Right of Way | Lot Number |
| Corporation Line | Parcel Number |
| District Line | Water |
| County Line | Railroad |

| | | | | | |
|---|---|-------------------|----|--|----|
| R | 1 | Revised 3/8/2019 | 9 | | 17 |
| e | 2 | Revised 2/14/2022 | 10 | | 18 |
| v | 3 | | 11 | | 19 |
| i | 4 | | 12 | | 20 |
| s | 5 | | 13 | | 21 |
| i | 6 | | 14 | | 22 |
| o | 7 | | 15 | | 23 |
| n | 8 | | 16 | | 24 |

STATE OF WEST VIRGINIA
COUNTY OF JACKSON
 Office of Assessor



Ripley
 Map: 16A
 Date, Map: 2/18/2022
 Scale: 1" = 200'