

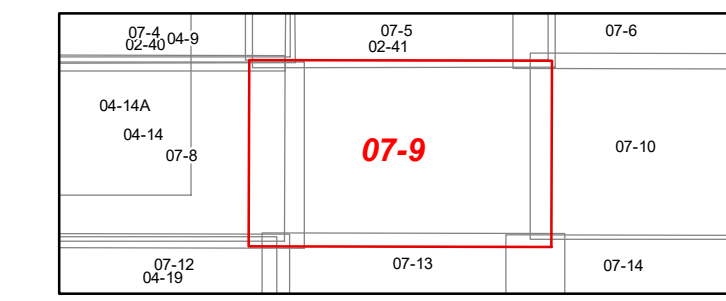
FOR TAX PURPOSES ONLY
 Prepared By:
Brian K. Thomas
 Jackson County Assessor

Legend

Property Line	Original Lot Line	Lot Number (15)
Road Right of Way	Corporation Line	Parcel Number 99
District Line	County Line	Water
		Railroad

R	1	Revised 3/8/2019	9	17
e	2	Revised 2/15/2022	10	18
v	3		11	19
i	4		12	20
s	5		13	21
i	6		14	22
o	7		15	23
n	8		16	24

STATE OF WEST VIRGINIA
COUNTY OF JACKSON
 Office of Assessor



Washington
 Map: 9
 Date, Map: 2/18/2022
 Scale: 1" = 400'