

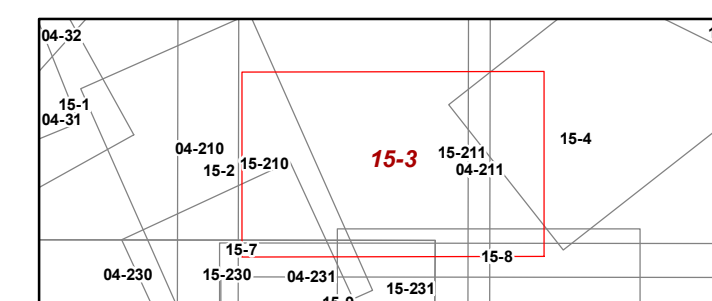
FOR TAX PURPOSES ONLY

Prepared By:
Avery Ray Bailey
McDowell County Assessor

Legend
 Property Line ———
 Road Right of Way ———
 Corporation Line ———
 District Line ———
 County Line ———
 Original Lot Line ———
 Lot Number (15) ———
 Parcel Number (99) ———
 Water ———
 Railroad ———

R	1	Revised 2/11/2021	9	17
e	2		10	18
v	3		11	19
i	4		12	20
s	5		13	21
o	6		14	22
n	7		15	23
s	8		16	24

STATE OF WEST VIRGINIA
COUNTY OF McDOWELL
 Office of Assessor



WELCH CORPORATION
 Map: 3
 Date, Aerial Photography: 2019
 Date, Map: 5/3/2021
 Scale: 1 inch = 100 feet