

PREPARED BY
THE MAPPING / GIS STAFF OF:
GARY WARNER
PUTNAM COUNTY ASSESSOR
3389 WINFIELD ROAD
WINFIELD, WV 25213
PHONE: (304) 586-0206
FAX: (304) 586-0226

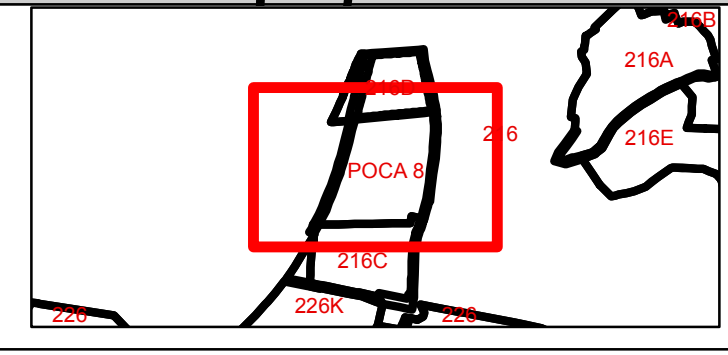
FOR TAX PURPOSES ONLY
ALL TAX MAPS CREATED UNDER THE PROVISIONS OF REAPPRAISAL LEGISLATION ARE THE PROPERTY OF PUTNAM COUNTY WEST VIRGINIA AND THE REPRODUCTION, COPYING, DISTRIBUTION OR SALE OF SUCH TAX MAPS OR ANY COPIES THEREOF WITHOUT THE WRITTEN PERMISSION OF THE PUTNAM COUNTY ASSESSOR IS PROHIBITED BY LAW.

LEGEND

	Road ROW		Parcel Hook		Utility Easement
	Parcel Boundary		Lot line/Easement		Parcel Number
	Road-Rail ROW		Parcel-Road ROW		Routing Number
	District		MapBooks		Deed Lot Number
	Rivers/Lakes				

Revisions

1.	10/26/2021 UPDATE (JSH)
2.	1/1/2019 UPDATE SUPPLIED TO STATE (JSH)
3.	1/14/2015 UPDATE SUPPLIED TO STATE (BAS)
4.	1/7/2016 UPDATE SUPPLIED TO STATE (BAS)
5.	1/7/2017 UPDATE SUPPLIED TO STATE (BAS)
6.	2/14/2017
7.	1/8/18 UPDATE SUPPLIED TO STATE (JSH)



PUTNAM COUNTY
STATE OF WEST VIRGINIA
OFFICE OF ASSESSOR

Sheet No.: **POCA 8**
District: POCA TOWN
Date, Aerial Photography: 2021
Scale: 1" = 100'