



FOR TAX PURPOSES ONLY

Prepared By:
Raleigh County Assessor's Office
Beckley, WV

RESTRICTION

ALL TAX MAPS CREATED UNDER THE PROVISIONS OF REAPPRAISAL LEGISLATION ARE THE PROPERTY OF RALEIGH COUNTY, WEST VIRGINIA. THE REPRODUCTION, COPYING, DISTRIBUTION, OR SALE OF SUCH TAX MAPS OR ANY COPIES THEREOF WITHOUT THE WRITTEN PERMISSION OF THE RALEIGH COUNTY ASSESSOR IS PROHIBITED BY LAW.

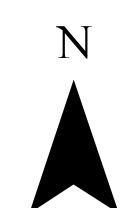
1	10/07/96 CLG	9	05/11/15 JLW	17
2	04/02/01 CLG	10	05/11/15 JLW	18
3	10/26/05 CLG	11	08/26/2021 AGD	19
4	03/27/06 CLG	12		20
5	01/18/07 CLG	13		21
6	10/30/07 ADL	14		22
7	07/05/08 ADL	15		23
8	09/24/10 TPB	16		24

R
e
v
i
s
i
o
n
s

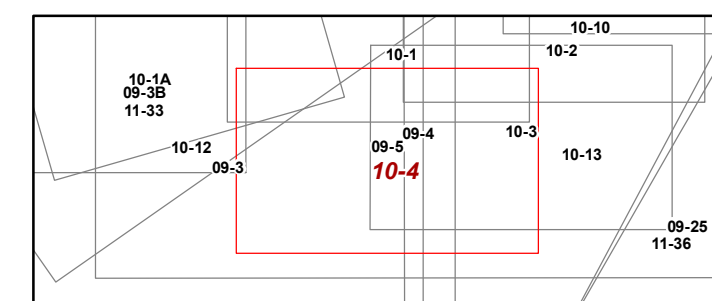
Legend

- Property Line
- Road Right of Way
- Corporation Line
- District Line
- County Line
- Original Lot Line
- Lot Number
- Parcel Number
- Water
- Railroad

- (15)
- 99



1 inch = 100 feet



**COUNTY OF RALEIGH
OFFICE OF ASSESSOR
BECKLEY, WEST VIRGINIA**

SOPHIA CORPORATION

Map: 4

Date, Aerial Photography: 2018
Date, Map: 8/30/2021