

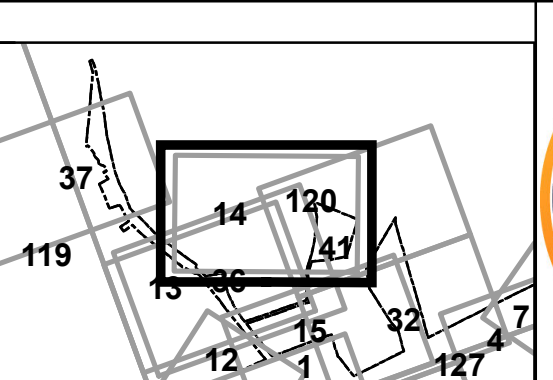
FOR TAX PURPOSES ONLY
LANDMARK
 geospatial

Legend	
	District Boundary
	Previous Deed
	Property
	Road Easement
	Railroad Right of Way
	Road Right of Way
	River
	Deed lot Number (15)
	Parcel or Index Number (9)
	UNKNOWN
	Improvement
	Cemetery
	School
	Church

Restriction

All tax maps created under the provisions of reappraisal legislation are the property of the Assessor of Randolph County, West Virginia and the reproduction, copying, modification, distribution or sale of such tax maps or any copies thereof without the written permission of the Randolph County Assessor is prohibited by law.

Revisions	
1	6-30-1964
2	D.R. 7-1980
3	N.S. 3-1981
4	N.C.S. 7-1-1986
5	D.F. 7-1-1988
6	OGIS 3-1-1991
7	OGIS J.E.B. 4-15-1992
8	OGIS S.A.J. 5-2-1993
9	OGIS R.R.O. 3-1994
10	OGIS J.E.B. 4-20-1995
11	OGIS J.E.B. 5-1-1996
12	P.K.Y. 7-1-1998
13	P.K.Y. 7-1-2001
14	P.K.Y. 7-1-2002
15	P.K.Y. 7-1-2004
16	A.K.B. 7-1-2006
17	A.S.T. 7-1-2011
18	S.T.P. 7-1-2013
19	
20	
21	
22	
23	
24	
25	
26	
27	
28	
29	
30	
31	
32	
33	
34	
35	
36	



RANDOLPH COUNTY LEADSVILLE
 Assessor's Office
 Phyllis K. Yokum, Assessor
 ELKINS, WV

District 10 Map No. 14
 Date of Publication: 1/18/2022
 Scale: 1"=100'