

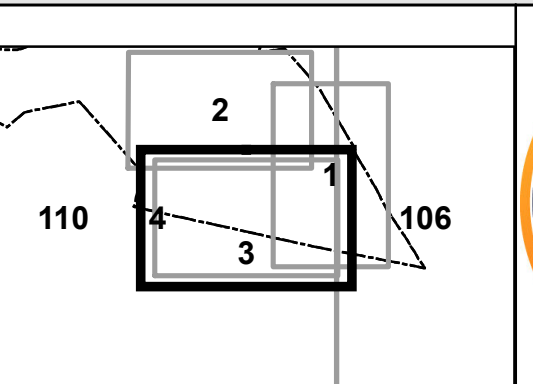
FOR TAX PURPOSES ONLY
LANDMARK
 geospatial

Legend	
	District Boundary
	Previous Deed
	Property
	Road Easement
	Railroad Right of Way
	Road Right of Way
	River
	Deed lot Number (15)
	Parcel or Index Number (9)
	UNKNOWN
	Improvement
	Cemetery
	School
	Church

Restriction

All tax maps created under the provisions of reappraisal legislation are the property of the Assessor of Randolph County, West Virginia and the reproduction, copying, modification, distribution or sale of such tax maps or any copies thereof without the written permission of the Randolph County Assessor is prohibited by law.

Revisions					
1	6-30-1964	10	19	28	
2	T.R.L. 7-1987	11	20	29	
3	OGIS D.S.H. 2-23-1991	12	21	30	
4	OGIS T.L. 4-30-1992	13	22	31	
5	OGIS R.R.O. 3-1994	14	23	32	
6	P.K.Y. 7-1-2000	15	24	33	
7	P.K.Y. 7-1-2002	16	25	34	
8		17	26	35	
9		18	27	36	



RANDOLPH COUNTY
 Assessor's Office
 Phyllis K. Yokum, Assessor
 ELKINS, WV

MONTROSE CORP
 District 14 Map No. 3
 Date of Publication: 1/18/2022
 Scale: 1"=100'